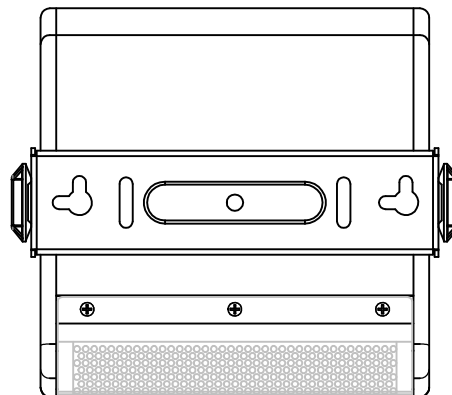
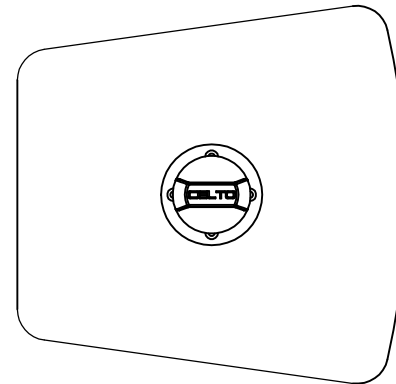
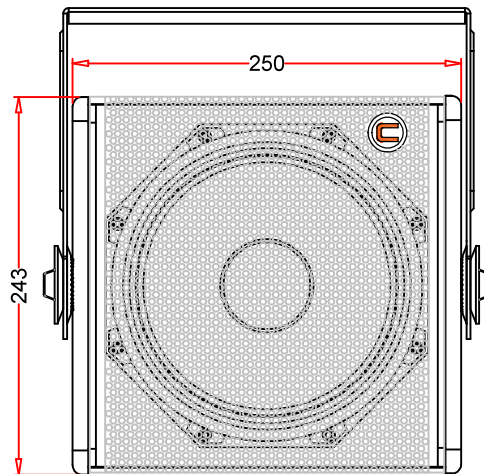
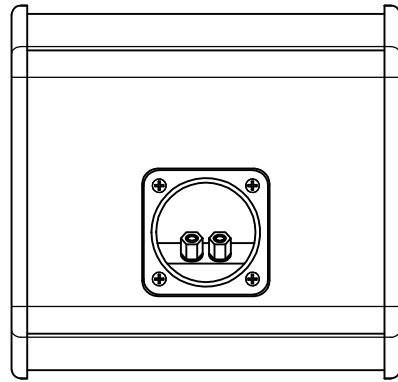
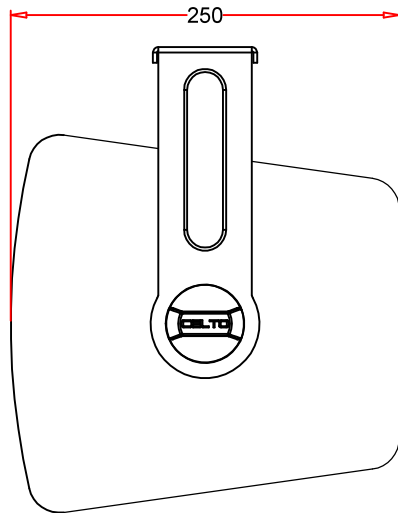


A
3



MODEL	IFIX8	PN	101212	UNIT	MM	OF
PART NAME	WOOD CABINET	APPROVED		THIRD ANGLE PROJECTION		PAGE
MATERIAL	BIRCH PLY WOOD	DATE	20180712			
SCALE	1:1					
DRAWER	Arthur					