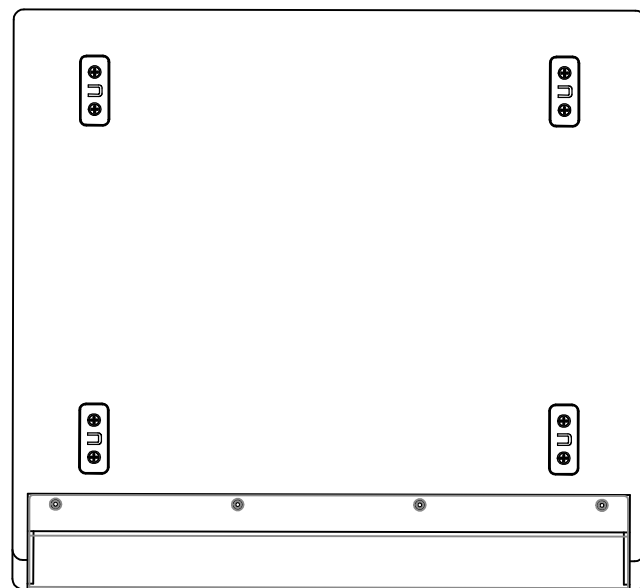
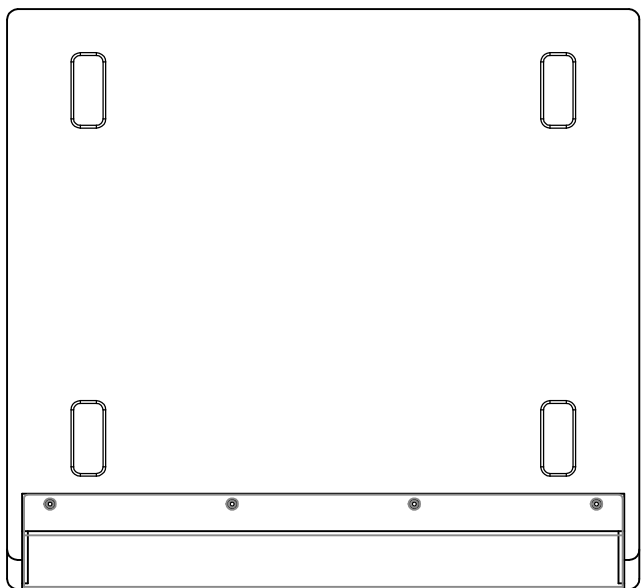
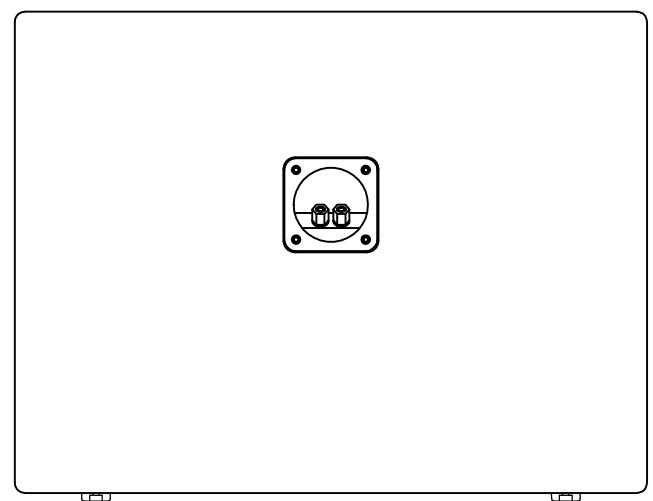
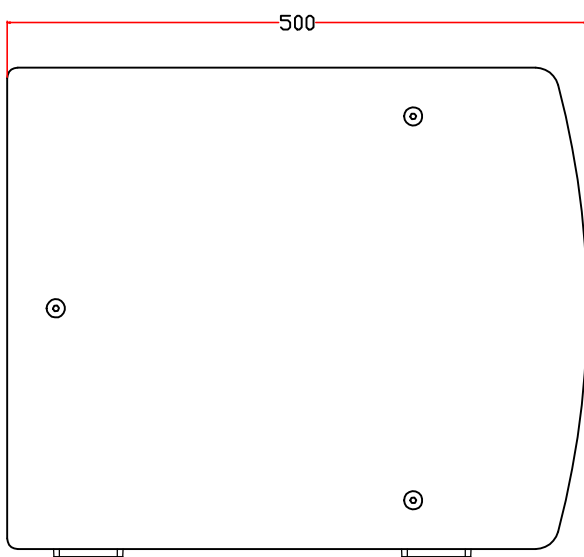
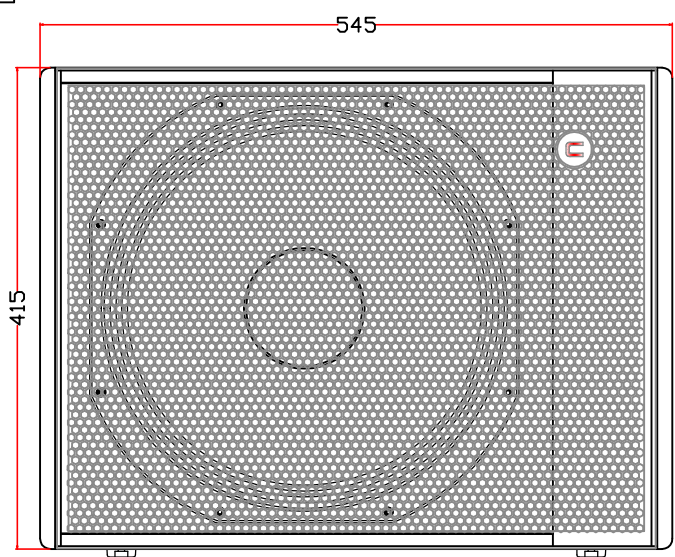


A
1



MODEL	IFIX13S	PN	101213	UNIT	MM	OF
PART NAME	SPEAKER	APPROVED		THIRD ANGLE PROJECTION 		1
MATERIAL	BIRCH PLY WOOD	DATE	20160330			PAGE
SCALE	1:1					1
DRAWER	Arthur					